

**LA175**  
**100 Series Tractor**



**JOHN DEERE**

**PARTS CATALOG**

**LA175**  
**100 Series Tractor**

**PC9747 (Apr-11) English**

**John Deere Horicon Works**

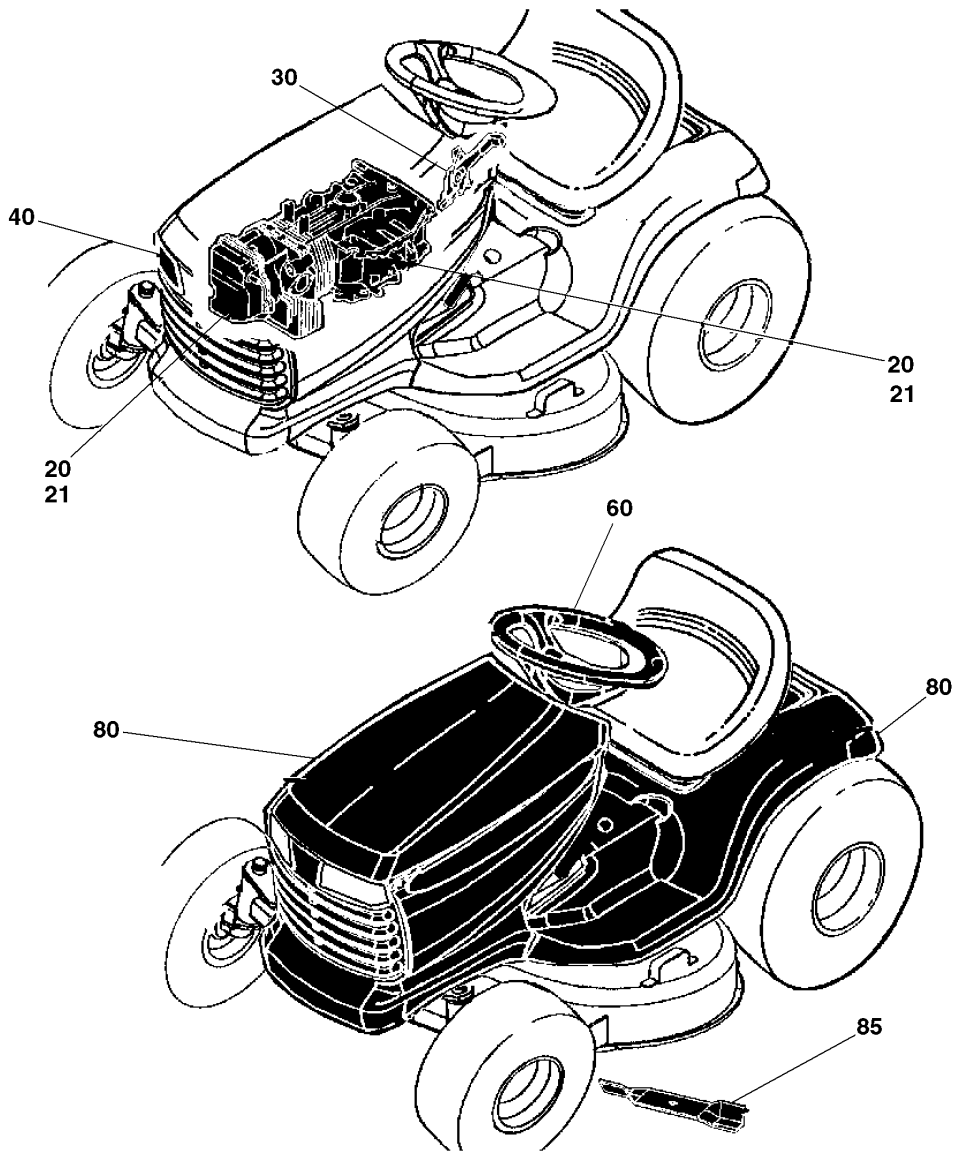
Litho in U.S.A. (Revised)  
COPYRIGHT © 2011  
DEERE & COMPANY  
Moline, Illinois  
All rights reserved



Primary Pictorial Index  
 Index d'illustrations principal  
 Hauptbildindex  
 Indice principale illustrato  
 Índice primario de ilustraciones

PU03638 A.1

20-	1
21-	33
30-	1
40-	1
60-	1
80-	1
85-	1

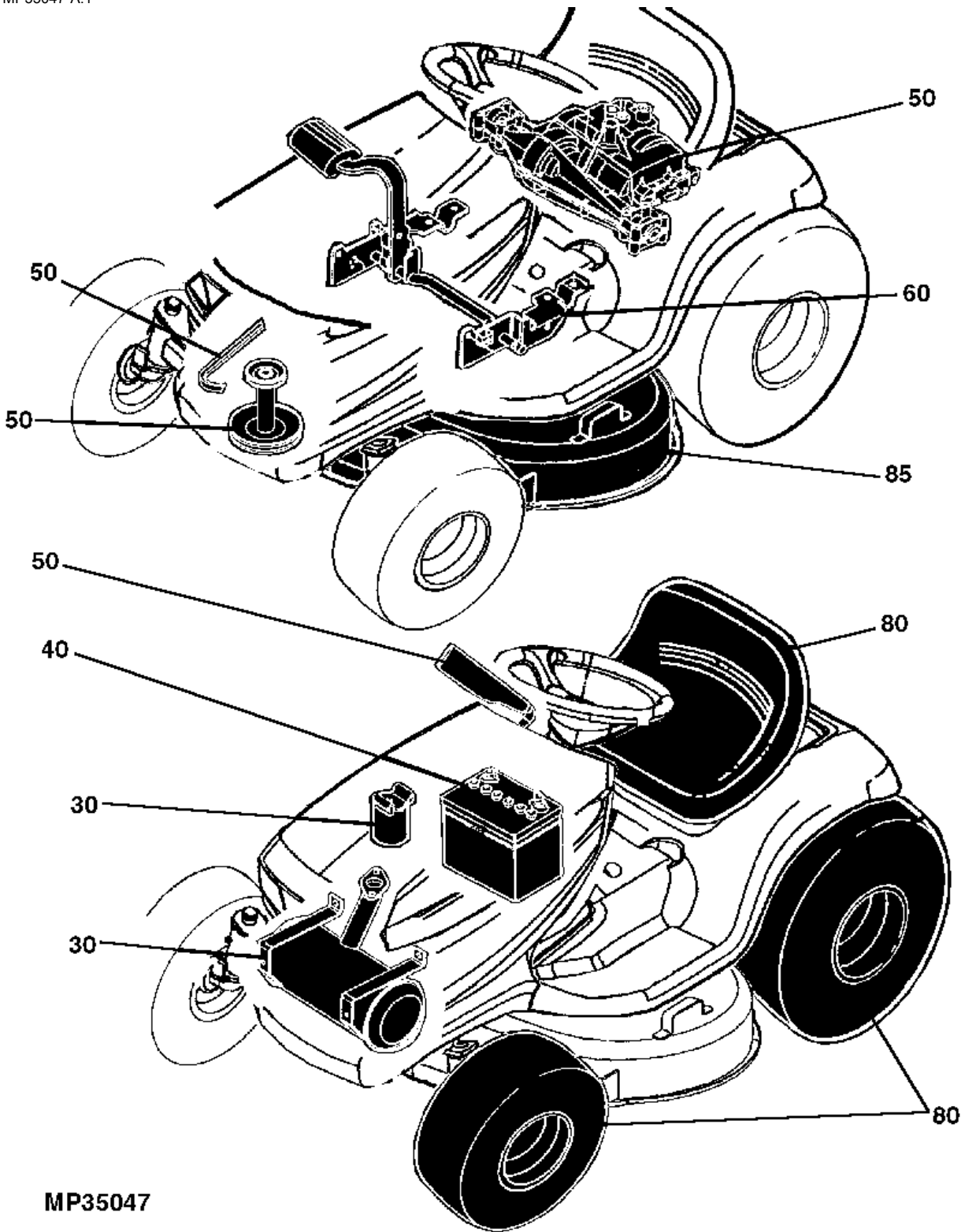


PU03638

Primary Pictorial Index  
 Index d'illustrations principal  
 Hauptbildindex  
 Indice principale illustrato  
 Índice primario de ilustraciones

MP35047 A.1

30-	1
40-	1
50-	1
60-	1
80-	1
85-	1



MP35047

**Thanks very much for your reading,  
Want to get more information,  
Please click here, Then get the complete  
manual**

**JustClickHere** 

**NOTE:**

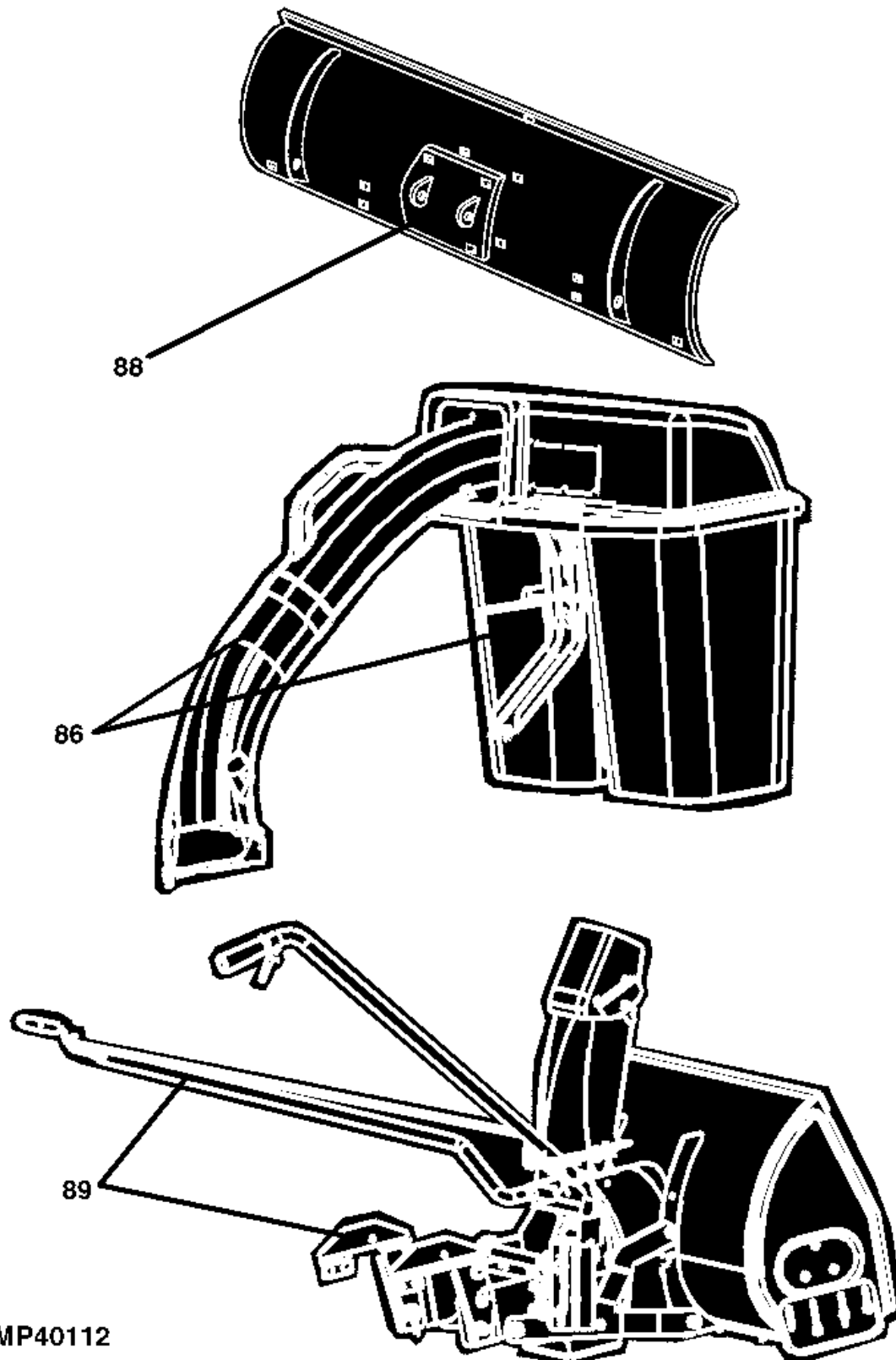
**If there is no response to click on the link above,  
please download the PDF document first, and then  
click on it.**

**Have any questions please write to me:  
[admin@servicemanualperfect.com](mailto:admin@servicemanualperfect.com)**

Primary Pictorial Index  
 Index d'illustrations principal  
 Hauptbildindex  
 Indice principale illustrato  
 Índice primario de ilustraciones

86-	1
88-	123
89-	131

MP40112 A.1



MP40112



### Remarks And Abbreviations

The following remarks and abbreviations may appear throughout this parts catalog. Refer to the following table for translations.

Phrase	Meaning	Phrase	Meaning
ALSO ORDER, ORD W/	Also Order	MFWD	Mechanical Front Wheel Drive
AMP	Ampere	MRWD	Mechanical rear wheel drive
APPL, APPL ONLY	This application only	NA, NOT USED THIS APPL	Not used in this application
AR	As required	NLA	No longer available
ASSY	Complete assembly	NSEP	Not available separately
CCW	Counter-clockwise	OD	Outside diameter
COMPLETE	Complete	OPTIONAL	Optional
COMPLETE GOODS	Complete goods	OR	Or
CONVENIENCE ASSY, CA	Convenience assembly	ORD, ORDER	Order
CTL, CUT TO LENGTH	Cut to length	OS	Oversize
CONTAINS	Contains	OUTER	Outer
CONSISTS OF	Consists of	PKG, PACKG	Package, Packet of
CUT FROM	Cut from	PTO	Power Take Off
CW	Clockwise	REAR	Rear
FOR	For	RATIO	Ratio
FRONT	Front	REPL	Replaces
GAS	Gasoline	RH	Right-hand
HP	Horse Power	SUB COMPONENTS	Substitute components (of the kit or assy)
HS, SAE	High strength, SAE rating	SUB FOR THIS APPLICATION	Sub for this application
HS, HEAD MARKED	High strength, head marked	SUB FOR	Substitutes for



## Remarks and Abbreviations Continued

Phrase	Meaning	Phrase	Meaning
ID	Inside diameter	SN	Serial number
INCH	Inch	STD	Standard
INCL, INCLUDES	Includes...	SUB	Replaced by
INCL KEYS	Includes keys...	SUB THIS APPLICATION	Sub this application
INCLUDES PARTS/ ITEMS MARKED	Includes parts/items marked..	TEETH, Z	Number of gear teeth
KIT	Kit	TK	Thickness
L	Number of links	UP, UPPER	Upper
LGTH	Length	US	Undersize
LH	Left-hand	USE WITH	Use with
LOW, LOWER	Lower	USE UNTIL EXHAUSTED	Use until exhausted
MAKE FROM, MF	Make from	W/	With
MARKED	Marked	W/O	Without
MATCHED SET	Matched Set	WHOLE GOODS	Whole goods

## LA175 Tractor

MP39947 A.1



### MP39947

2008 Model (Serial No. GXA175A050001-200000)

2008 Model (Serial No. GXA175C010001-200000) (California)

2009 Model (Serial No. GXA175A200001-300000)

2009 Model (Serial No. GXA175C200001-300000) (California)

2010 Model (Serial No. GXA175A300001- )

2010 Model (Serial No. GXA175C300004- )(California)

2010 Model (Serial No. GXA175A300976- )(Canada)

*(Specifications and design subject to change without notice)*

## Material Collection System

MP31789 A.1



**MP31789**

*(Specifications and design subject to change without notice)*

## 44-Inch 2-Stage Snowblower

MP38088 A.1



### **MP38088**

2008 Model (Serial No. M044SBH020001-030000)

2009 Model (Serial No. M044SBH030001-040000)

2010 Model (Serial No. M044SBH040001- )

*(Specifications and design subject to change without notice)*

## 46-Inch Snow Blade

MP31790 A.1



**MP31790**

*(Specifications and design subject to change without notice)*

## Product Identification and Serial Number Plate

An individual product identification and serial number is assigned to each machine. When writing about or filling out warranty claims, use all the characters shown on the plate.

Example:GXA175A050001

GX-	Factory Designation
175-	Model Or Machine Designation
	175 Tractor
A-	Configuration Code (With 54-Inch Mower Deck)
050001-	Serial Number (Tractor)

## Product Configuration Code

The configuration "Alpha" code identifies a variation of a product. (example: a 116 Lawn Tractor may be manufactured as a hydrostatic or manual unit, and be shipped with a 970 mm or 1170 mm mower. Four variations of the 116 lawn tractor exist.) it also identifies different products which have the same model or machine designation. (example: 216 Tractor and 216 Tiller) if no configuration "Alpha" code is required, space is filled in with an "X".

## Serial Number Listing Information

Serial number information is listed to show on which machines each part can be used; for example:

- **The part can be used on all products.**
- 000000** -       **The part can be used on products beginning with the serial number listed.**
- **000000**   **The part can be used on products up to and including the serial number listed.**
- 000000** - **000000**   **The part can be used on products between and including the serial number listed.**

When XXXXXX's are listed in place of a serial number, a serial number change was made, but the exact serial number was not available at the time of publication.

---

### **Box-Enclosed Illustrations**

Box-enclosed keyed parts in the illustration are available as a service assembly or an attachment. These parts may also include parts not available for service. The illustrations may not show all individual parts of an attachment. A box not keyed includes non-current parts.

### **Bolt And Cap Screw Strength Identification**

Bolts and cap screws required to have high-strength qualities equivalent to metric property class 10.9 (SAE grade 8) or higher are identified throughout this catalog by the description 10.9, 12.9 or 14.9. All standard bolts and cap screws are metric property class 8.8 (SAE grade 5) or lower.

### **Whole Goods Listings**

Whole goods are listed in bold face type. Refer to lawn and grounds care sales manual for whole goods ordering information. Order separately. Do not include on replacement parts order.

### **Direction Arrow**

Arrows are used with illustrations to indicate the front of the unit. "Right-Hand" and "Left-Hand" sides are determined by facing in the direction of machine forward travel.

### **To The Customer**

The part numbers in this Parts Catalog were correct at the time of publication. Per John Deere policy, we continuously improve our products. Therefore, when ordering parts verify the part numbers with your dealer.

---

**Table of Contents**

020 ENGINE.....	21
21 Engine Marked 44P777-0277-G1.....	33
030 FUEL AND AIR.....	43
040 ELECTRICAL .....	61
050 POWER TRAIN .....	69
060 STEERING AND BRAKES.....	79
080 WHEELS, FRAME AND OPERATOR'S STATION .....	87
085 MOWER DECK AND LIFT LINKAGE.....	101
086 MATERIAL COLLECTION SYSTEM.....	111
088 46" (1,17M) BLADE.....	123
089 44" (1,12M) SNOWBLOWER.....	131
090 LABELS AND OPTIONAL EQUIPMENT.....	147





## Alphabetical Index

	Page		Page
<b>A</b>			
Air Filter .....	50	COVER, FRONT WHEEL .....	88
AIR FILTER .....	59	Cover, Hopper (Material Collection System) .....	114
Air Filter And Fuel Pump .....	50	Cover, Valve (Engine Marked 44P777-0277-G1) .....	38
Alternator .....	66	Crankcase .....	22
Alternator And Flywheel .....	66	Crankcase (Engine Marked 44P777-0277-G1) .....	34
Armature .....	66	CRANKSHAFT .....	24
ARM, DECK IDLER .....	106	CRANKSHAFT AND PISTON .....	24
AUGER .....	142	Crankshaft (Engine Marked 44P777-0277-G1) .....	36
AUGER AND SHAFT (44" SNOWBLOWER) .....	142	Crankshaft, Connecting Rods and Pistons .....	36
Axle Shaft And Differential .....	75	CRUISE CONTROL ROD .....	84
AXLE, FRONT .....	80	CUP HOLDER .....	94
Axle, Rear .....	75	Cylinder Block .....	22
<b>B</b>			
Backing Plate (Material Collection System) .....	118	Cylinder Block And Dipstick .....	22, 34
BAGS AND HANGERS .....	113	Cylinder Block (Engine Marked 44P777-0277-G1) .....	34
BAGS, GRASS (MATERIAL COLLECTION SYSTEM) .....	113	Cylinder Head .....	38
BATTERY AND CABLES .....	63	CYLINDER HEAD .....	26
BATTERY SUPPORT .....	96	CYLINDER HEAD AND GASKET .....	26
Belts (44" Snowblower) .....	136	<b>D</b>	
BELT DRIVE AND IDLERS .....	72	DECALS .....	148
BELT GUIDE, REAR .....	72	DECALS (FRENCH CANADIAN) .....	150
BELT, MOWER DRIVE .....	106	Decals (Material Collection System) .....	114
BELT, TRACTION DRIVE .....	72	Decals (44" SNOWBLOWER) .....	144
Blade .....	128	Decals, Bagger (French/Canadian) .....	122
BLADES, MOWER .....	106	Decals, French Canadian (44" Snowblower) .....	145
Blade, Drift (44" Snowblower) .....	146	Decals, Mower Deck (French Canadian) .....	147
Blade, Mulching .....	108	DECALS, SNOW BLADE .....	130
Blade, Scraper (44" Snowblower) .....	138	Decal, Danger (Upper Chute) (44" Snowblower) .....	140
Blade, Snow .....	128	DECK LIFT LINKAGE .....	102
Block, Cylinder .....	22	DECK, MOWER .....	104
Block, Cylinder (Engine Marked 44P777-0277-G1) .....	34	Deflector And Chute Controls (44" Snowblower) .....	140
BLOWER FAN (44" SNOWBLOWER) .....	142	Differential Gears .....	75
Blower Housing .....	30	Dipstick, Engine Oil (Engine Marked 44P777-0277-G1) .....	34
Blower Housing And Brackets .....	116	DISCHARGE CHUTE, MOWER DECK .....	104
Blower Housing (Engine Marked 44P777-0277-G1) .....	40	Drift Blade .....	146
Blower Housing (Material Collection System) .....	116	Drift Blade (44" Snowblower) .....	146
Blower Shaft (Material Collection System) .....	118	Drive Belt (Material Collection System) .....	120
Brackets, Lift Linkage (44" Snowblower) .....	132	DRIVE BELT, TRACTION .....	72
Brackets, Snow Blade Mounting .....	124	<b>E</b>	
Bracket, Angle Lock (Snow Blade) .....	128	Engine .....	22
Bracket, Idler Arm (44" Snowblower) .....	136	Engine Controls .....	57
BRACKET, STEERING SHAFT SUPPORT .....	96	Engine Gasket Kit .....	39
BRAKE PEDAL AND LINKAGE .....	82	ENGINE GASKET KIT .....	28
BRAKE PEDAL, PARKING .....	82	Engine Marked 44P777-0277-G1 .....	34
Breather, Crankcase .....	22	Engine Mounting Bolts .....	22
Breather, Crankcase (Engine Marked 44P777-0277-G1) .....	34	Engine Mounting Bolts (Engine Marked 44P777-0277-G1) .....	34
BUMPER, FRONT (OPTIONAL) .....	92	ENGINE MOUNTING PLATE .....	90
<b>C</b>			
CABLES, BATTERY .....	63	Engine Shrouds .....	30, 40
CABLE, ANGLE LOCK (SNOW BLADE) .....	126	EXHAUST MANIFOLDS .....	44
Cable, Deflector (44" Snowblower) .....	140	EXHAUST VALVE .....	26
Cable, Lift Lever (44" Snowblower) .....	132	<b>F</b>	
CAMSHAFT .....	24	FAN (OPTIONAL) .....	152
Camshaft (Engine Marked 44P777-0277-G1) .....	36	FAN (12 V) .....	152
CANOPY .....	154	FAN, BLOWER (44" SNOWBLOWER) .....	142
CAP, FUEL TANK .....	46	Fan, Engine Cooling .....	66
CAP, FUEL TANK (CALIFORNIA) .....	48	FENDERDECK .....	94
Carburetor .....	52, 54	Fill Tube, Oil .....	22
Carburetor Repair Kit .....	56, 58	FILTER KIT .....	59
Carburetor Repair Kit (MIA11790) .....	58	Filter, Air .....	50
CENTER CASE, TRANSAXLE .....	76	Filter, Engine Oil (Engine Marked 44P777-0277-G1) .....	34
CHASSIS .....	90	FILTER, FUEL .....	46
Choke Linkage .....	57	FILTER, FUEL (CALIFORNIA) .....	48
Choke, Throttle And Speed Control Linkage .....	57	Filter, Oil .....	22
Chute .....	112	FILTER, TRANSAXLE .....	76
Chutes, Upper And Lower (Material Collection System) .....	112	Float, Carburetor .....	52, 54
Chute And Deflector Controls .....	140	Flywheel .....	66
Chute And Deflector Controls (44" Snowblower) .....	140	FORWARD AND REVERSE PEDAL AND LINKAGE .....	84
CHUTE, DISCHARGE (MOWER DECK) .....	104	Frame .....	134
CLUTCH, CENTRIFUGAL .....	72	FRAME .....	90
CONNECTING ROD .....	24	Frame (44" Snowblower) .....	134
Connecting Rod (Engine Marked 44P777-0277-G1) .....	36	FRONT AXLE .....	80
Control, Throttle .....	57	FRONT WHEEL .....	88
COVER, REAR WHEEL .....	89	FRONT WHEELS AND TIRES .....	88
		FUEL FILTER .....	59

## Alphabetical Index - Continued

	Page		Page
Fuel Pump .....	50	Kit, Engine Gasket (Engine Marked 44P777-0277-G1).....	39
FUEL TANK .....	46	Kit, Home Maintenance .....	31
FUEL TANK AND LINES .....	46	Kit, Home Maintenance (Engine Marked 44P777-0277-G1).....	41
FUEL TANK AND LINES (CALIFORNIA) .....	48	KIT, MOTION CONTROL ROD .....	84
FUEL TANK (CALIFORNIA) .....	48	Kit, Mower Lip .....	108
FUSE .....	64	Kit, Mulching .....	108
<b>G</b>		<b>L</b>	
GAGE WHEELS .....	104	Labels .....	144
GASKETS, VALVE OVERHAUL .....	28	LABELS .....	130, 148
Gasket Kit, Carburetor .....	56	Labels (French Canadian) .....	122, 145
Gasket Kit, Carburetor (MIA11790) .....	58	LABELS (FRENCH CANADIAN) .....	150
GASKET KIT, ENGINE .....	28	Labels (Material Collection System) .....	114
Gasket Kit, Engine Marked 44P777-0277-G1 .....	39	Labels (44" Snowblower) .....	144
GASKET, CYLINDER HEAD .....	26	Labels, Bagger (French/Canadian) .....	122
Gears, Differential And Final Drive .....	75	Labels, French Canadian (44" Snowblower) .....	145
GEAR AND SECTOR, STEERING .....	80	Labels, Mower Deck (French Canadian) .....	147
GEAR CASE, AUGER (44" SNOWBLOWER) .....	142	LABELS, SNOW BLADE .....	130
GEAR, TIMING .....	24	Label, Danger (Upper Chute) (44" Snowblower) .....	140
Governor Linkage .....	57	LATCH, CRUISE CONTROL .....	84
Governor Shaft .....	22	LEVER, CABLE RELEASE (SNOW BLADE) .....	126
Governor Shaft (Engine Marked 44P777-0277-G1) .....	34	Lever, Deflector (44" Snowblower) .....	140
GRABLIGHT .....	153	Lever, Lift Linkage (44" Snowblower) .....	132
GRAB LIGHT .....	153	LIFTERS, VALVE .....	26
GRASS BAGS (MATERIAL COLLECTION SYSTEM) .....	113	Lift Handle And Bar (44" Snowblower) .....	132
Grass Screen .....	66	Lift Lever And Linkage .....	132
GRILLE .....	92	LIFT LEVER AND LINKAGE .....	126
GRIP, LIFT LEVER (SNOW BLADE) .....	126	LIFT LEVER AND LINKAGE, SNOW BLADE .....	126
Grip, Lift Lever (44" Snowblower) .....	132	LIFT LINKAGE, MOWER DECK .....	102
Guard, Belt (Material Collection System) .....	120	Linkage, Governor .....	57
GUIDE, REAR BELT .....	72	Lip Kit, Mower .....	108
<b>H</b>		<b>M</b>	
Handle, Chute Control (44" Snowblower) .....	140	Maintenance Kit .....	31
HANDLE, CRUISE CONTROL .....	84	Maintenance Kit (Engine Marked 44P777-0277-G1) .....	41
HANDLE, DECK LIFT .....	102	MANIFOLDS, EXHAUST .....	44
Handle, Lift Lever (44" Snowblower) .....	132	Manifold, Intake .....	50
HANDLE, LIFT (SNOW BLADE) .....	126	MAT, FOOT .....	94
HARNESS, HEADLIGHT WIRING .....	92	Moldboard, Snow Blade .....	128
HARNESS, MAIN WIRING .....	64	Mounting Bolts (Engine Marked 44P777-0277-G1) .....	34
HARNESS, WIRING (GRABLIGHT) .....	153	Mounting Bolts, Engine .....	22
HEADLIGHTS .....	92	Mounting Brackets And Hardware .....	124
Head, Cylinder (Engine Marked 44P777-0277-G1) .....	38	Mounting Brackets, Blower Housing (Material Collection System) .....	116
HEAT SHIELDS, MUFFLER .....	44	Mounting Brackets, Snow Blade .....	124
Home Maintenance Kit .....	31, 41	MOUNTING BRACKET, BAGGER (MATERIAL COLLECTION SYSTEM) .....	113
HOOD .....	92	MOWER BLADES .....	106
HOOD AND GRILLE .....	92	MOWER DECK .....	104
Hopper Top .....	114	Mower Deck Labels (French Canadian) .....	147
Hopper Top (Material Collection System) .....	114	MOWER DECK LIFT LINKAGE .....	102
HOSE, FUEL .....	46	MOWER DRIVE BELT, SHEAVES, SPINDLES AND BLADES .....	106
HOSE, FUEL (CALIFORNIA) .....	48	MUFFLER .....	44
Housing .....	138	MUFFLER AND HEAT SHIELD .....	44
Housing (44" Snowblower) .....	138	Mulching Kit .....	108
Housing, Engine Blower .....	30	Mulch Kit .....	108
Housing, Engine Blower (Engine Marked 44P777-0277-G1) .....	40		
HYDRO CONTROL .....	84	<b>O</b>	
<b>I</b>		OIL FILTER .....	59
Idlers (Material Collection System) .....	120	Oil Filter And Fill Tube, Engine .....	22
IDLERS, MOWER DECK .....	106	OIL FILTER, TRANSAXLE .....	76
IDLERS, TRACTION DRIVE .....	72	OIL PUMP AND PAN, ENGINE .....	24
Idler Arm And Spring (Material Collection System) .....	116	Oil Pump (Engine Marked 44P777-0277-G1) .....	36
IMPELLER (44" SNOWBLOWER) .....	142	<b>P</b>	
Intake Manifold .....	50	PAD, FORWARD AND REVERSE PEDALS .....	84
INTAKE VALVE .....	26	Panel, Bearing Mount (Material Collection System) .....	116
<b>J</b>		PANEL, INSTRUMENT .....	96
Jacksheave (Material Collection System) .....	120	PARKING BRAKE .....	82
Jacksheave, Idlers And Belt .....	120	PEDAL, HYDRO CONTROL .....	84
<b>K</b>		PEDESTAL .....	96
KEY, IGNITION .....	64	PEDESTAL AND INSTRUMENT PANEL .....	96
KIT, ENGINE GASKET .....	28	PISTONS AND RINGS .....	24
		Piston And Rings (Engine Marked 44P777-0277-G1) .....	36
		Pivot Arm (Material Collection System) .....	116
		PLATE, ENGINE MOUNTING .....	90

## Alphabetical Index - Continued

	Page		Page
PLATFORM, SEAT .....	98		
PLENUM.....	92		
Plug, Spark.....	66		
POST, BAGGER (MATERIAL COLLECTION SYSTEM).....	113		
Power Flow (Material Collection System).....	116		
PTO CLUTCH.....	72		
Pulleys And Drive Belt.....	136		
Pulleys (44" Snowblower).....	136		
PUMP SHAFT KIT.....	74		
PUMP SHAFT KIT, TRANSAXLE.....	74		
Pump, Fuel.....	50		
PUMP, OIL.....	24		
Pump, Oil (Engine Marked 44P777-0277-G1).....	36		
PUSH ROD.....	26		
Push Rod (Engine Marked 44P777-0277-G1).....	38		
Q			
QUADRANT, SHIFT .....	94		
R			
Rear Axle.....	75		
REAR WEIGHT.....	90		
REAR WHEEL.....	89		
REAR WHEELS AND TIRES.....	89		
RELAY.....	64		
Repair Kit, Carburetor.....	56		
Repair Kit, Carburetor (MIA11790).....	58		
RESERVOIR, TRANSAXLE.....	70		
Retainers, Rotor Bearing (Material Collection System).....	118		
RIM, FRONT.....	88		
RIM, REAR.....	89		
RINGS, PISTON.....	24		
Rings, Piston (Engine Marked 44P777-0277-G1).....	36		
Ring Gear.....	66		
ROCKER ARM.....	26		
Rocker Arm (Engine Marked 44P777-0277-G1).....	38		
Rod, Chute Swivel (44" Snowblower).....	138		
ROD, CONNECTING.....	24		
Rod, Connecting (Engine Marked 44P777-0277-G1).....	36		
ROD, CRUISE CONTROL.....	84		
ROD, PUSH.....	26		
Rotor Assembly.....	118		
Rotor (Material Collection System).....	118		
Runner, Snow Blade.....	128		
S			
Scraper Blade (44" Snowblower).....	138		
Scraper, Snow Blade.....	128		
Screen, Grass.....	66		
SEAL KIT.....	73		
SEAL KIT, TRANSAXLE.....	73		
SEAT.....	98		
SEAT AND SEAT PLATFORM.....	98		
SHAFT, AUGER (44" SNOWBLOWER).....	142		
SHAFT, SNOW BLADE PIVOT.....	126		
SHEAVES, MOWER DECK.....	106		
SHEAVE, TRACTION DRIVE.....	72		
SHIELDS, HEAT (MUFFLER).....	44		
SHIELDS, MOWER DECK BELT.....	104		
Shield, Belt (Material Collection System).....	116		
Shrouds (Engine Marked 44P777-0277-G1).....	40		
Shrouds, Engine.....	30		
Skid Shoe (44" Snowblower).....	138		
Skid Shoe, Snow Blade.....	128		
Solenoid, Fuel Shutoff.....	52, 54		
SOLENOID, STARTER.....	64		
Spark Plug.....	66		
SPARK PLUG.....	59		
SPINDLES, MOWER DECK.....	106		
SPINDLE, STEERING.....	80		
STARTER.....	62		
STEERING WHEEL.....	80		
STEERING WHEEL, GEARS, LINKAGE AND FRONT AXLE.....	80		
SUPPORT, BAGGER (MATERIAL COLLECTION SYSTEM).....	113		
Support, Snow Blade Pivot Bracket.....	124		
SWITCHES.....	64		
Swivel Control (44" Snowblower).....	140		
		T	
		TANK, FUEL.....	46
		TANK, FUEL (CALIFORNIA).....	48
		TAPPETS.....	26
		Tappet (Engine Marked 44P777-0277-G1).....	38
		Throttle Control And Linkage.....	57
		TIE ROD.....	80
		TIMING GEAR.....	24
		Timing Gear (Engine Marked 44P777-0277-G1).....	36
		TIRE, FRONT.....	88
		TIRE, REAR.....	89
		TRANSAXLE.....	70
		TRANSAXLE CENTER CASE.....	76
		TRANSAXLE CENTER CASE AND VALVES.....	76
		TRANSAXLE PUMP SHAFT KIT.....	74
		TRANSAXLE SEAL KIT.....	73
		TRANSMISSION.....	70
		TURF GARD OIL.....	59
		V	
		VALVES, INTAKE AND EXHAUST.....	26
		Valves, Intake And Exhaust (Engine Marked 44P777-0277-G1).....	38
		VALVE OVERHAUL GASKETS.....	28
		VALVE, TRANSAXLE.....	76
		W	
		Wear Strip, Snow Blade.....	128
		WEIGHT, REAR.....	90
		WHEELS, MOWER DECK GAGE.....	104
		WHEEL, FRONT.....	88
		WHEEL, REAR.....	89
		WHEEL, STEERING.....	80
		Wire Harness (Alternator).....	66
		WIRING HARNESS.....	64
		WIRING HARNESS (GRABLIGHT).....	153
		WIRING HARNESS, HEADLIGHT.....	92
		WIRING HARNESS, MAIN.....	64